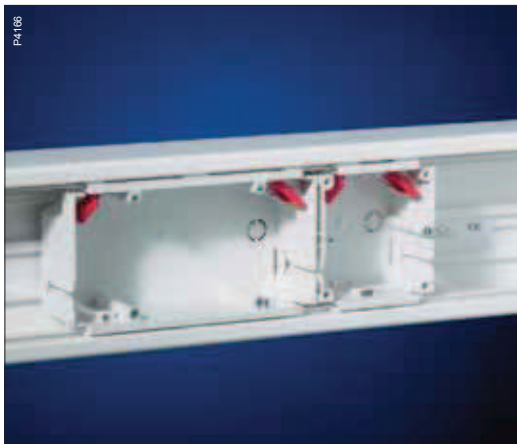


MIB



The MIB system includes boxes and accessories, adapted to Thorsman service carriers with front cover F80®.

- MIB-A1 is a single installation box for devices with a c/c distance of 60 mm, MIB-A2 a double box for devices with a c/c distance of 71 mm. MIB-A1 and -A2 are also available in kits including two insulating pieces. These kits are called MIB-A1D3 and -A2D3 respectively.
- MIB-J is a junction box to be hooked onto the side of MIB-A1 and MIB-A2. This means that the junction box can be covered by a front cover piece to get a nice appearance (see fig. 1 to the left).
- MIB-FA1 is a frame adapted to CEE-outlets with c/c 60 mm hole distance. With label window.

### Approvals

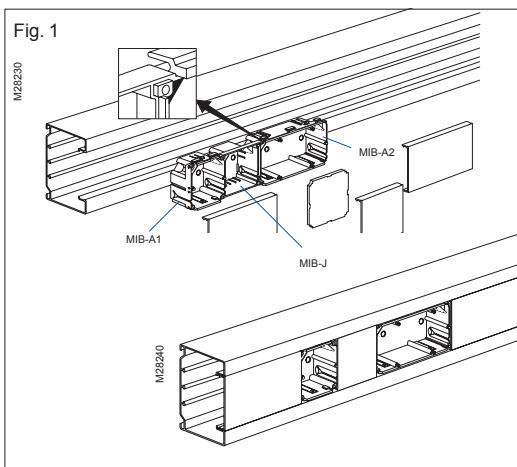
SEMKO, NEMKO, FIMKO, KEMA, VDE.

### Material data

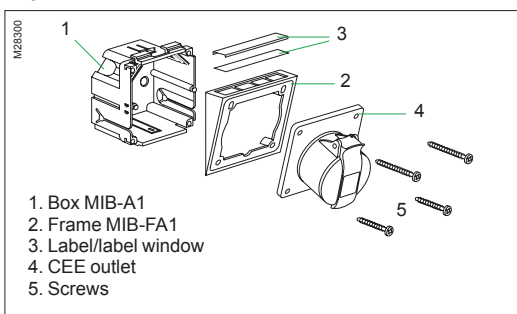
Material	PC/ABS
Density	1.14 g/cm <sup>3</sup>
Volume resistivity	>10 <sup>13</sup> Ω cm
Fire rating	UL 94 V-0 (1.6 mm, halogen-free)
Water absorption	0.6%
Colour, boxes	White
Colour spec., frame	White NCS 0701-G46Y
Material	PA6
Density	1.19 g/cm <sup>3</sup>
Volume resistivity	>10 <sup>15</sup> Ω cm
Fire rating	UL 94 V-2 (halogen-free)
Water absorption	2.8%
Colour	White

### Operative data




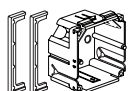
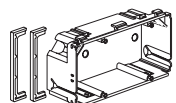


Suitable outdoors	No
Degree of protection	IP20



### Exploded view



## MIB Boxes & accessories

Type	Colour	Dimensions A/B/C (mm)		Qty per package	EAN code	Ref. No.
<b>Installation boxes</b>						
Single and double installation box including strain relief devices. Intended for mounting of standard devices in service carriers with front F80. Can be combined with junction box MIB-J. Material: PC/ABS.						
 P61512	White	79/45/71		10	7315885586154	5586 150
 P61511	White	79/45/142		5	7315880079798	5586 155
<b>Installation box kits</b>						
Installation box kit including single or double installation box MIB-A1 with strain relief devices and two insulating pieces MIB-D3. Intended for mounting of standard devices in service carriers with front F80. Can be combined with junction box MIB-J. Material: PC/ABS.						
 P80580	White	79/45/77.5		10	7315880113805	5586 152
 P83461	White	79/45/148.5		5	7315880114833	5586 157
<b>Junction box</b>						
Junction box with cover, intended for mounting in combination with installation boxes MIB-A1 and MIB-A2. Material: PA6.						
 P61522	White/red	71/40/93		10	7315885586161	5586 160
<b>Frame</b>						
Frame with label window, intended for CEE devices with a c/c distance of 60 mm. To be mounted in MIB-A1 by means of four included screws. Material: PC/ABS.						
 P61426	White NCS	84/84/23		1	7315880090557	5586 211