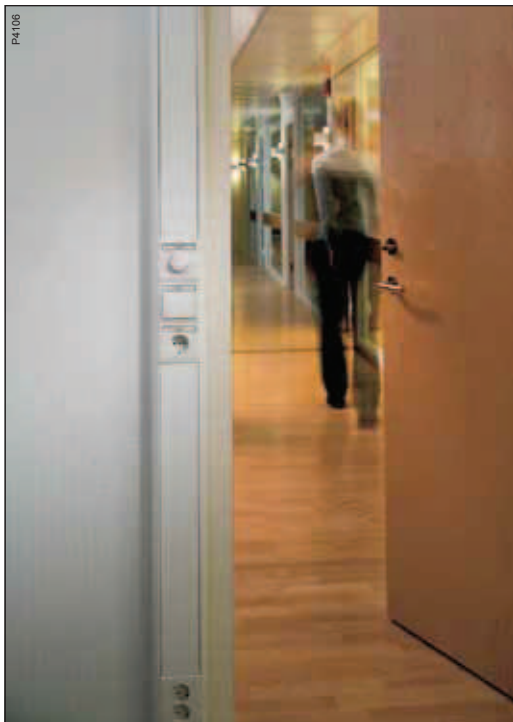


POL



### Description

The Thorsman range of pre-wired and customized service poles POL is a multi purpose system for on-the-spot electrical services for power and communication. The poles are designed to bring power, data and telecommunication directly from the ceiling to the desk, and they are pre-assembled entirely to customer specifications.

The service poles are available in several versions;

- tension-mounted between floor and ceiling
- fixed to cable tray or ladder
- free-standing and movable
- mounted on the wall.

The compatibility with the Thorsman wiring device system CYB allows complete solutions for power and low voltage, telecom and data. Adjustments to standard outlets on the European market are easily made using MIB boxes.

The service poles are supplied in optional lengths up to 5 metres and in optional colours, pre-wired including cables and plugs, ready to be secured and connected to a so called service gate in the backbone of the building. Each individual pole is tested before delivery and provided with a unique serial number, thus providing possibilities to trace it back in the production line. Test report and wiring diagram follow each pole at delivery.

The poles are specified by means of the PC based planning and specifying aid PSC-NET.

There is also a number of pre-defined poles that need no specifying.

### Performance

Electrical data	Rated voltage:	400 V
	Rated current:	16 A
Degree of protection	IP30	
Loads	Maximum horizontal load at the height 1000 mm:	400 N
	Maximum vertical load:	750 N
	<i>Note: Load values applicable to all poles except POL-M.</i>	

### Standards

PrEn 50085-2-4.  
SS 424 10 32:1989.

### Patents & approvals

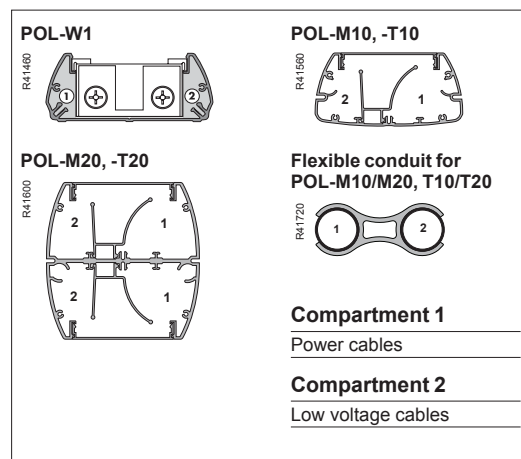
Approvals	Please see under each pole type.
Patent & protection of design	• Connection foot for POL-M4: the internal coupling and the distribution of power and, where appropriate, of data out to the service boxes has been granted Swedish patent No. 519 422.
	• Foot ISM20809: protection of design granted in EC countries.
	• Base profile for POL-M10, -M20, -T10, -T20: protection of design granted in Sweden, Finland, Denmark, Norway, Germany, Holland, Belgium and Luxemburg.

### Material data

Aluminium	Specification	SS 4104, BS H9, DIN Al Si 0.5
	Density	2.7 g/cm <sup>3</sup>
	Linear expansion	2.4x10 <sup>-5</sup> /°C
Cast iron	Density	7.3 g/cm <sup>3</sup>
	Linear expansion	1.2x10 <sup>-5</sup> /°C
	Surface treatment	• Coated with clear varnish (POL-FM1) • Dip coated (POL-FM2)
Steel 1142	Specification	SS 1142
	Density	7.8 g/cm <sup>3</sup>
	Linear expansion	1.2x10 <sup>-5</sup> /°C
Steel 1411	Specification	SS 1411
	Density	7.8 g/cm <sup>3</sup>
	Specification	SS 1774-05
Steel spring 1774-05	Density	7.8 g/cm <sup>3</sup>
	Surface treatment	Lubricated
	Specification	DIN 2394
Steel tubing 2394	Density	7.8 g/cm <sup>3</sup>
	Specification	EPDM
Rubber	Other info	Halogen-free

### Cable separation

In order to obtain a 25 mm separation between power and low voltage cables the cables in the feeder part of the pole must be run according to the following:



### Material data, cont.

PA 6 (polyamide)	Density	1.14 g/cm <sup>3</sup>
	Linear expansion	100x10 <sup>-6</sup> /°C
	Volume resistivity	>10 <sup>15</sup> Ω cm
	Water absorption	2.8%
	Dielectric strength	60 kV/mm
PP (polypropylene)	Other info	Halogen-free
	Density	0.905 g/cm <sup>3</sup>
	Linear expansion	110x10 <sup>-6</sup> /°C
	Volume resistivity	10 <sup>16</sup> Ω cm
	Water absorption	0,07%
PVC	Dielectric strength	30 kV/mm
	Other info	Halogen-free
	Density	1.5 g/cm <sup>3</sup>
	Linear expansion	60x10 <sup>-6</sup> /°C
	Volume resistivity	>10 <sup>13</sup> Ω cm
PC/ABS	Water absorption	<0.2%
	Dielectric strength	>20 kV/mm
	Density	1.14 g/cm <sup>3</sup>
	Linear expansion	70x10 <sup>-6</sup> /°C
	Volume resistivity	>10 <sup>13</sup> Ω cm
Polystyrene	Water absorption	0.6%
	Dielectric strength	19 kV/mm
	Density	1.04 g/cm <sup>3</sup>
	Other info	Halogen-free

### Surface treatment

Anodizing	5–10 µm, natural
Powder coating	Epoxy-polyester mix or polyester, 50–100 µm

### Colours and surface coatings

Service poles	Natural anodized or powder coated according to Thorsman Colour Choice.
Front covers	Natural anodized or powder coated according to Thorsman Colour Choice. Lengths available for delivery: Maximum 2500 mm.
Accessories	If nothing else is stated the following applies: White = NCS 0402-B91G Grey = RAL 9007 White textured = KP 546-9216 ≈ RAL 9010 Black textured = KP 545-7069 ≈ RAL 9011


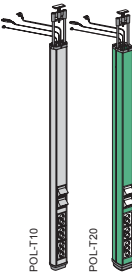
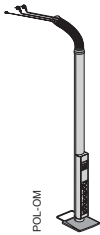
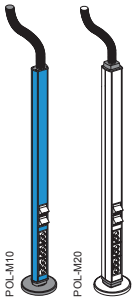
### Operative data

Suitable outdoors	No
Degree of protection	IP30
Electrical data	230/400V, 16 A

### Classification acc. to PrEn 50085

Material	6.1.1 Metallic
Impact resistance	6.2.3 Medium impact
Temperature	6.3 Code 221 (= min. storage and transport temperature -25°C, min. installation and application temperature -15°C, max. application temperature +60°C)

### Customized and pre-wired service poles

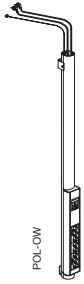
Type	Dimensions A/B/C (mm)	EAN code	Ref. No.
<p>Customized and pre-wired service poles for installation of power and communication from the ceiling. To be specified in PSC-NET. All poles are CE-marked according to the Low Voltage Directive (LVD). Material: Aluminium (profiles, front cover).</p> <p><b>Tension-mounted between floor and ceiling, or fixed to cable tray/ladder</b></p> <p>Service poles to be tension-mounted between floor and ceiling or fixed to cable tray or ladder in the ceiling. Including floor fixing and all necessary accessories to fix the pole to the ceiling.</p>			
<p>P101983</p>  <p>POL-O</p>	<p>Max. 3800*/89/100</p> <p>*) Including ceiling fixing</p>	—	CMS9323**
<p>L63280 L63290</p>  <p>POL-T10 POL-T20</p>	<p><b>POL-T10</b> Wiring devices can be placed along the whole length of the pole.</p> <p><b>POL-T20</b> Wiring devices can be placed along the whole length of the pole.</p>	—	CMS9330**
<p><b>Free-standing and movable</b></p> <p>Free-standing and movable service pole. When using flexible conduit POL-FS in combination with foot ISM20808 or ISM20809, the pole can be moved within a radius ranging up to 1500 mm from the connection point in the ceiling. Due to its heavy weight the foot is supplied under separate packing.</p>			
<p>P67652</p>  <p>POL-OM</p>	<p>*/89/100</p> <p>*) Length options of profile 2165, 2465 and 2915 mm + flexible conduit = max. 2000 mm</p>	—	CMS9420**
<p>L63280 L63270</p>  <p>POL-M10 POL-M20</p>	<p><b>POL-M10</b> */61/120 *) Maximum length 5000 mm (profile = max. 3000 mm, flexible conduit = max. 2000 mm)</p> <p><b>POL-M20</b> */120/117 *) Maximum length 5000 mm (profile = max. 3000 mm, flexible conduit = max. 2000 mm)</p>	—	CMS9332**

\*\* The last three figures of the article identification number are dependent on the price interval of the pole.

### Customized and pre-wired service poles

Type	Dimensions A/B/C (mm)	EAN code	Ref. No.
<b>Wall-mounted</b>			
Service pole intended for wall mounting.			
<b>POL-OW</b> Wiring devices are placed in the lower part of the pole.	Max. 5000/89/100	—	CMS9421**
<b>POL-W1</b> Wiring devices can be placed along the whole length of the pole, except above fastening screws.	Max. 5000/49/115	—	CMS9308**

PK67705



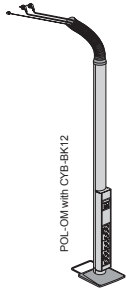
LB1390



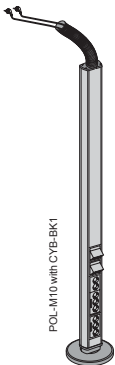
### Pre-defined and pre-wired service poles

<b>Free-standing and movable</b>						
Pre-wired, free-standing and movable service pole, unearthed. Equipped with access and outlet system type Thorsman CYB including connection cables and plugs. Foot to be ordered separately. Pole length: 2173 mm + flexible conduit 2000. Box height: 590 mm. Each box includes: • Schuko 250V/16A: two triple master outlets, one of which is marked DATA, and one double slave outlet. • Communication outlets, see below. The triple master outlets and the communication outlets are provided with label windows for easy marking. Free cable lengths outside the flexible conduit: pair cable 6200 mm, 250V cable 2000 mm. Material: Aluminium.						
<b>POL-OM</b> With 1 x CYB-BK12 including 2 x Actassi Cat. 6 + 2 x blank plate in each box	Anodized White	2173+2000/89/100	1	7315880111160 7315880111153	5860 544 5860 546	
<b>POL-OM</b> With 2 x CYB-BK1 including blank plates in each box	Anodized White	2173+2000/89/100	1	7315880111177 7315885860551	5860 548 5860 550	
<b>Free-standing and movable, mounted on a foot</b>						
Pre-wired, one-sided, free-standing service pole mounted on a foot. Unearthed. Equipped with access and outlet system type Thorsman CYB including connection cable and plug. NOTE! Foot POL-FM to be ordered separately. Including: • Schuko 250V/16A: two triple master outlets, one of which is marked DATA, and one double slave outlet. • Communication outlets, see below. The triple master outlets and the communication outlets are provided with label windows for easy marking. Free cable lengths: Pair cable 6400 mm, 250V cable 1800 mm. Material: Aluminium.						
<b>POL-M10</b> With 2 x CYB-BK1 including 1 x Actassi blank plate and 1 x blank plate	White	2415+2000/61/120	1	7315885863736	5863 730	
<b>POL-M10</b> With 2 x CYB-BK1 including blank plates	Anodized White	2115+2000/61/120	1	7315880113010 7315880113027	5863 754 5863 756	
<b>POL-M10</b> With 1 x CYB-BK12 including 2 x Actassi Cat. 6 + 2 x blank plate	Anodized White	2115+2000/61/120	1	7315885863750 7315880113003	5863 750 5863 752	

PK7852



PK3135



\*\* The last three figures of the article identification number are dependent on the price interval of the pole.

## Pre-defined and pre-wired service poles

Type	Colour	Dimensions A/B/C (mm)	Qty per package	EAN code	Ref. No.
------	--------	--------------------------	--------------------	----------	----------

### Free-standing and movable, mounted on a foot

Pre-wired, two-sided, free-standing service pole mounted on a foot. Unearthed. Equipped with Thorsman access and outlet system type CYB including connection cable and plug/modular plug. NOTE! Foot POL-FM to be ordered separately. Including, on each side:

- Schuko 250V/16A: two triple master outlets, one of which is marked DATA, and one double slave outlet.
- Communication outlets, see below.

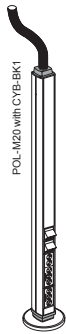
The triple master outlets and the communication outlets are provided with label windows for easy marking.

Free cable lengths: pair cable 6400 mm, 250V cable 2100 mm.

Material: Aluminium.

<b>POL-M20</b>	Anodized	2150+2000/120/117	1	7315885863835	5863 830
With 1 x CYB-BK12 including 2	White			7315880113065	5863 832
x Actassi Cat. 6 + 2 x blank plate on each side					

PR1106



### Tension-mounted between floor and ceiling

Pre-wired service pole, for tension-mounting between floor and ceiling. Unearthed. Equipped with Thorsman access and outlet system type CYB including connection cable and plug/modular plug.

- Including:
- Schuko 250V/16A: two triple master outlets, one of which is marked DATA, and one double slave outlet.
  - Communication outlets, see below.

The triple master outlets and the communication outlets are provided with label windows for easy marking.

Free cable lengths: Pair cable 7700 mm, 250V cable 3400 mm.

Material: Aluminium.

<b>POL-T10</b>	Anodized	2870-3270/61/120	1	7315880112891	5863 575
With 1 x CYB-BK12 including 2	White			7315880112907	5863 576
x Actassi Cat. 6 + 2 x blank plate					

PR3136



Pre-wired, two-sided service pole for tension-mounting between floor and ceiling. Unearthed. Equipped with Thorsman access and outlet system type CYB including connection cable and plug/modular plug.

- Including, on each side:
- Schuko 250V/16A: two triple master outlets, one of which is marked DATA, and one double slave outlet.
  - Communication outlets, see below.

The triple master outlets and the communication outlets are provided with label windows for easy marking.

Free cable lengths: Pair cable 7700 mm, 250V cable 3400 mm.

Material: Aluminium.

<b>POL-T20</b>	Anodized	2870-3270/120/117	1	7315885863682	5863 680
With 1 x CYB-BK12 including 2	White			7315880112938	5863 681
x Actassi Cat. 6 + 2 x blank plate on each side					

PR1197



## Empty service poles

### Tension-mounted between floor and ceiling

Empty service pole for tension-mounting between floor and ceiling. Unearthed. Supplied without wiring devices and cables.

Material: Aluminium.

<b>POL-T10</b>	White	3170-3570/61/120	1	7315885863576	5863 572
One-sided	Anodized			7315880105404	5863 573
<b>POL-T10</b>	White	2870-3270/61/120	1	7315880100737	5863 502
One-sided	Anodized			7315880105411	5863 503
<b>POL-T10</b>	White	2670-3070/61/120	1	7315885863552	5863 552
One-sided	Anodized			7315880105428	5863 554

LG6890



## Empty service poles

Type	Colour	Dimensions A/B/C (mm)	Qty per package	EAN code	Ref. No.
------	--------	--------------------------	--------------------	----------	----------

### Tension-mounted between floor and ceiling

Empty service pole for tension-mounting between floor and ceiling. Unearthed. Supplied without wiring devices and cables. Material: Aluminium.

<b>POL-T20</b> Two-sided	Anodized	3170-3570/120/117	1	7315885863675	5863 670
<b>POL-T20</b> Two-sided	Anodized	2870-3270/120/117	1	7315880105466	5863 602
<b>POL-T20</b> Two-sided	Anodized	2670-3070/120/117	1	7315880105473	5863 652

Empty service pole for tension-mounting between floor and ceiling. With one installation box for wiring devices, accessible front opening 700 mm. Adjustability of ceiling fixing 400 mm. Unearthed. Supplied without wiring devices and cables. Material: Aluminium.

<b>POL-O</b> With one box	Anodized	2600-3000/89/100	1	7332418018241	5867 300
<b>POL-O</b> With one box	Anodized	3400-3800/89/100	1	7332418018289	5867 320

### Free-standing and movable

Empty, free-standing and movable service pole. Unearthed. Supplied without wiring devices and cables. Foot to be ordered separately. Material: Aluminium.

<b>POL-OM</b>	Anodized	2465+2000/89/100	1	7315885863057	5863 050
---------------	----------	------------------	---	---------------	----------

### Free-standing and movable

Empty, free-standing and movable service pole. Unearthed. Supplied without wiring devices and cables. Foot to be ordered separately. Material: Aluminium.

<b>POL-M10</b> One-sided	Anodized	2415+2000/61/120	1	7315880112983	5863 744
<b>POL-M20</b> Two-sided	Anodized	2150+2000/120/117	1	7315885863828	5863 820

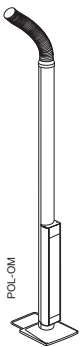
L67430



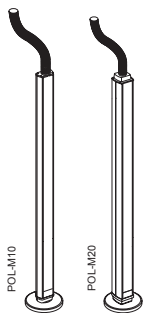
P80564



P80504



P80507  
P80508

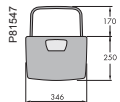


## Accessories for POL-O

Type	Colour	Dimensions A/B/C (mm)	Qty per package	EAN code	Ref. No.
<b>Floor fixing plate</b>					
Fixing plate to fix tension-mounted poles to the floor by screws. Fixed to the pole by pegs. From the OptiLine range. Material: Steel, electroplated.					
P9475	—	13/49/60	1	3606480567438	ISM20828
<b>Ceiling frame</b>					
Ceiling frame to cover the edges of a hole in a false ceiling. Self-sticking. Suitable for POL-O. Material: Polystyrene.					
P81655	White	1/Ø115	1	7315885865273	5865 270






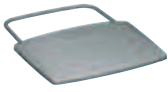



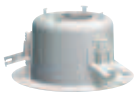
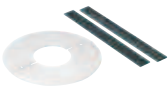
## Accessories for POL-OM

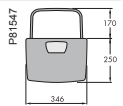
<b>Ceiling frame</b>					
Ceiling frame to cover the edges of a hole in a false ceiling. Self-sticking. Material: Polystyrene.					
P81655	White	1/Ø115	1	7315885865273	5865 270
<b>Ceiling frame</b>					
Ceiling frame intended to lead flexible conduit Ø55 mm through false ceiling. To be mounted in circular hole, Ø125 mm, by using three included clamps. Also including a slotted plastic plate to be used to lock the flexible conduit, which is fixed by cable ties. Material: PC/ABS.					
P86527	White RAL 9010	89/Ø161	1	3606480030628	ISM20812
<b>Ceiling frame</b>					
Ceiling frame including fixing material, intended to cover hole when leading Ø55 mm flexible conduit through false ceiling and to fix flexible conduit. Material: Steel 1142.					
P81619	White	40/Ø140	1	7315880060482	5866 295
<b>Ceiling fixing</b>					
Ceiling fixing intended to connect flexible conduit Ø55 mm to ceiling or wall. Fixings not included. From the OptiLine range. Material: Aluminium, powder coated.					
P86526	White RAL 9010	50/156/90	1	3606480030666	ISM20816
<b>Cable tray fixing</b>					
Cable tray fixing including fixing material, intended to connect flexible conduit Ø55 mm to cable tray/mesh tray. Gripping around the tray. From the OptiLine range. Material: Steel, powder coated.					
P86524	White RAL 9010	100/15/70	1	3606480030635	ISM20813
<b>Busbar fixing</b>					
Busbar fixing for Ø55 mm flexible conduits, intended to connect the conduit to busbar trunking. From the OptiLine range. Material: Steel, powder coated.					
P94503	White RAL 9010	105/90/70	1	3606480030659	ISM20815
<b>Foot</b>					
Round foot for free-standing, movable poles, to be fixed to the bottom plate of the pole by means of two M6 bolts (included). Suitable both for one and two-sided poles. From the OptiLine range. Material: Cast iron, painted.					
P86529	Grey	29/Ø317	1	3606480030581	ISM20808
<b>Foot</b>					
Rectangular foot for free-standing, movable pole, to be fixed to the bottom plate of the pole by means of two M6 bolts (included). The foot is provided with a steel clamp that can be unfolded for extra support. When not in use, the clamp lies protected in a recess underneath the foot. Specially suited in applications close to the wall or when two poles are positioned back to back. From the OptiLine range.					
P86528	Grey	33/250/346	1	3606480030598	ISM20809
<b>Adaptor</b>					
Adaptor for connection of Ø55 mm flexible conduit to movable poles POL-OM. Material: Aluminium, powder coated.					
P81629	White Grey	40/Ø73.5	1	7315880110705 7315880110712	5865 561 5865 562










## Components and accessories for POL-M10/M20 and POL-T10/T20







Type	Colour	Dimensions A/B/C (mm)		Qty per package	EAN code	Ref. No.
<b>Cable tray fixing</b>						
Cable tray fixing including fixing material, intended to connect flexible conduit Ø55 mm to cable tray/mesh tray. Gripping around the tray. From the OptiLine range. Material: Steel, powder coated.						
P86524 	White RAL 9010	100/15/70		1	3606480030635	ISM20813
<b>Busbar fixing</b>						
Busbar fixing for Ø55 mm flexible conduits, intended to connect the conduit to busbar trunking. From the OptiLine range. Material: Steel, powder coated.						
P84503 	White RAL 9010	105/90/70		1	3606480030659	ISM20815
<b>Floor fixing plate</b>						
Fixing plate to fix tension-mounted poles to the floor by screws. Fixed to the pole by pegs. From the OptiLine range. Material: Steel, electroplated.						
P84375 	—	13/49/60		1	3606480567438	ISM20828
<b>Foot</b>						
Round foot for free-standing, movable poles, to be fixed to the bottom plate of the pole by means of two M6 bolts (included). Suitable both for one and two-sided poles. From the OptiLine range. Material: Cast iron, painted.						
P86529 	Grey	29/Ø317		1	3606480030581	ISM20808
Rectangular foot for free-standing, movable pole, to be fixed to the bottom plate of the pole by means of two M6 bolts (included). The foot is provided with a steel clamp that can be unfolded for extra support. When not in use, the clamp lies protected in a recess underneath the foot. Specially suited in applications close to the wall or when two poles are positioned back to back. From the OptiLine range. Material: Cast iron, painted.						
P86528 	Grey	33/250/346		1	3606480030598	ISM20809
<b>Ceiling fixing</b>						
Ceiling fixing intended to connect flexible conduit Ø55 mm to ceiling or wall. Fixings not included. From the OptiLine range. Material: Aluminium, powder coated.						
P86526 	White RAL 9010	50/156/90		1	3606480030666	ISM20816
<b>Ceiling frame</b>						
Ceiling frame for base profile for POL-M10/T10 and POL-M20/T20 respectively. Covers the edge of the hole in a false ceiling. Self-sticking. Only for tension-mounted poles. Material: Polystyrene.						
P81646 	White	1/111/170		1	7315885865259	5865 250
P81647 	White	1/170/167		1	7315880096870	5865 255
Ceiling frame intended to lead flexible conduit Ø55 mm through false ceiling. To be mounted in circular hole, Ø125 mm, by using three included clamps. Also including a slotted plastic plate to be used to lock the flexible conduit, which is fixed by cable ties. The plate can also be used as a drill template for entrance hole Ø125 mm. From the OptiLine range. Material: PC/ABS.						
P86527 	White RAL 9010	89/Ø161		1	3606480030628	ISM20812
Ceiling frame including fixing material, intended to cover hole when leading Ø55 mm flexible conduit through false ceiling and to fix flexible conduit. Only for movable poles. Material: Steel 1142.						
P81619 	White	40/Ø140		1	7315880060482	5866 295



## Accessories for POL-OW

Type	Colour	Dimensions A/B/C (mm)		Qty per package	EAN code	Ref. No.
<b>Wall brackets</b>						
Wall bracket that can be mounted anywhere along the pole, to fix the pole to the wall. Distance between wall and pole approx. 7.5 mm. Material: Steel 1147.						
P7292		POL-VF2	White	40/46/69	1	7315880110781 5866 002
<b>Ceiling frame</b>						
Ceiling frame to cover the edges of a hole in a false ceiling. Self-sticking. Material: Polystyrene.						
P81616		POL-CF7	White	1/97/115	1	7315880110729 5865 275
<b>Ceiling fixing</b>						
Ceiling fixing intended to connect flexible conduit Ø55 mm to ceiling or wall. Fixings not included. From the OptiLine range. Material: Aluminium, powder coated.						
P86528		Ceiling fixing	White RAL 9010	50/156/90	1	3606480030666 ISM20816
<b>Adaptor</b>						
Adaptor for connection of Ø55 mm flexible conduit to service poles POL-OW. Material: Aluminium, powder coated.						
P81629		POL-AF1	White Grey	40/Ø73.5	1	7315880110705 5865 561 7315880110712 5865 562


## Components and accessories for POL-W1

<b>Base profile for wall mounting</b>						
Base profile, length 2700 mm. Punched holes in the back to simplify mounting. With internal screw rail for earth connection. To be used with wiring devices type CYB or CAN, or, for devices with a c/c 60 distance, with installation box type MIB. Material: Aluminium, natural anodized or powder coated.						
P8608		POL-W1	Anodized White	2700/49/115	2	7315885860100 5860 100 7315880079712 5860 101
<b>Stop end</b>						
Stop end intended to shut the lower end of base profile POL-W1. Material: Aluminium.						
P81610		POL-ES1	White Grey	14/49/115	1	7315885865433 5865 430 7315880079736 5865 431
<b>Collar</b>						
Collar intended to shut the upper end of base profile POL-W1. The opening for cable outlet is adapted to feeder profile FED-W1. Material: Aluminium.						
P81611		POL-CR1	White Grey	14/49/115	1	7315885865709 5865 700 7315880079750 5865 701
<b>Ceiling frame</b>						
Ceiling frame intended for use when POL-W1 is led through a false ceiling, to cover the edges of the hole. Material: Polystyrene.						
P81612		POL-CF1	White	1/74/160	1	7315885865242 5865 240
<b>Cable holder</b>						
Cable holder to divide the base profile POL-W1 into three compartments. To be snap-fitted into the base profile. Material: PC/ABS.						
P86098		TTP-CH2	Greyish-black	30/17/88	10	7315880079774 5871 105
<b>Cable retainer</b>						
Clamp intended to hold cables in place in POL-W1. Material: PA.						
P82563		TTM-KL42	Black	12/42/14	10	7315880079668 5401 615

**Other accessories**

P81654



Type	Colour	Dimensions A/B/C (mm)		Qty per package	EAN code	Ref. No.
------	--------	--------------------------	---	--------------------	----------	----------

**Adaptor**

Adaptor for connection of Ø55 mm flexible conduit to base profile and cover Ø65 mm.  
Material: Aluminium, powder coated.

POL-AF	Grey White	40/Ø73.5		1	7315880107361 7315885865563	5865 559 5865 560
--------	---------------	----------	--	---	--------------------------------	----------------------

**Partition profile**

Partition profile of halogen-free material with two partition walls. Mounted in internal fixing rails of base profiles.  
Material: ABS.

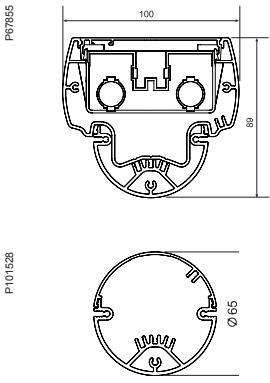
TTP-PP	White	500/49/50		25	7315885871038	5871 030
--------	-------	-----------	--	----	---------------	----------

P85100



### POL-O

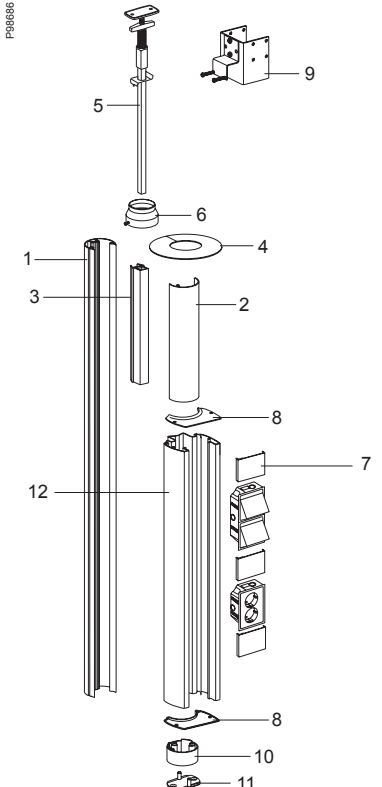
#### Design and dimensions



Technical drawings of the POL-O service pole. The top view shows a width of 100 mm and a height of 80 mm. The front view shows a diameter of 65 mm. The top view is labeled P07855 and the front view is labeled P101528.

Length options, mm	With ceiling fixing: 2200-2600, 2600-3000, 3000-3400 or 3400-3800 Without ceiling fixing: 2020, 2420, 2820, 3220
Installation box height	Standard height 590 or 700 mm Optional free heights 100-1000 mm
Approvals	SEMKO, FIMKO, NEMKO

#### Exploded view

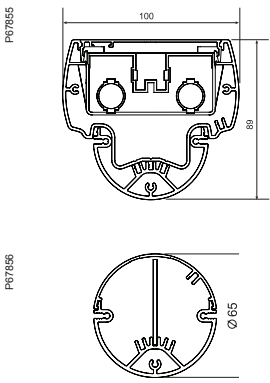


Exploded view diagram of the POL-O service pole. The diagram shows the following components:

1. Base profile
2. Cover
3. Guide profile for ceiling fixing
4. Ceiling frame POL-CF6
5. Ceiling fixing
6. Adaptor POL-AF1
7. Front cover
8. Stop end
9. Cable tray fixing
10. Floor fixing
11. Fixing plate
12. Service box profile

### POL-OM

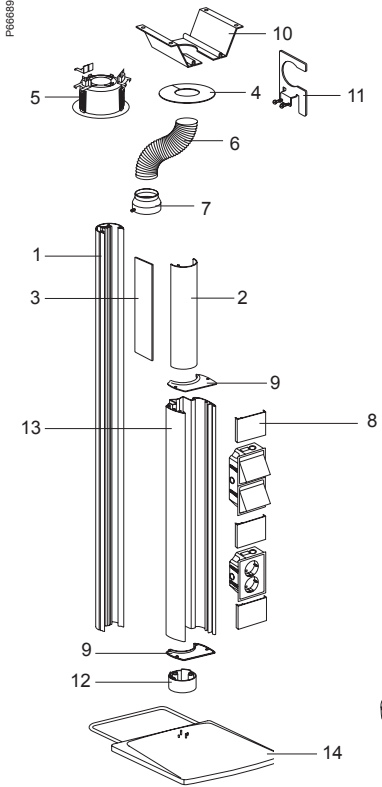
#### Design and dimensions



Technical drawings of the POL-OM service pole. The top view shows a width of 100 mm and a height of 80 mm. The front view shows a diameter of 65 mm. The top view is labeled P07855 and the front view is labeled P07856.

Length options, mm	2165, 2465 or 2915
Installation box height	Standard height 590 or 700 mm Optional free heights 100-1000 mm
Approvals	SEMKO, FIMKO, NEMKO

#### Exploded view



Exploded view diagram of the POL-OM service pole. The diagram shows the following components:

1. Base profile
2. Cover
3. Separation wall
4. Ceiling frame POL-CF6
5. Ceiling frame ISM20812
6. Flexible conduit Ø55 mm
7. Adaptor POL-AF1 for flexible conduit
8. Front cover
9. Stop end
10. Ceiling fixing ISM20816
11. Cable tray fixing ISM20813 or busbar fixing ISM20815
12. Floor fixing
13. Service box profile
14. Foot ISM20809
15. Foot ISM20808

### POL-OW

#### Design and dimensions

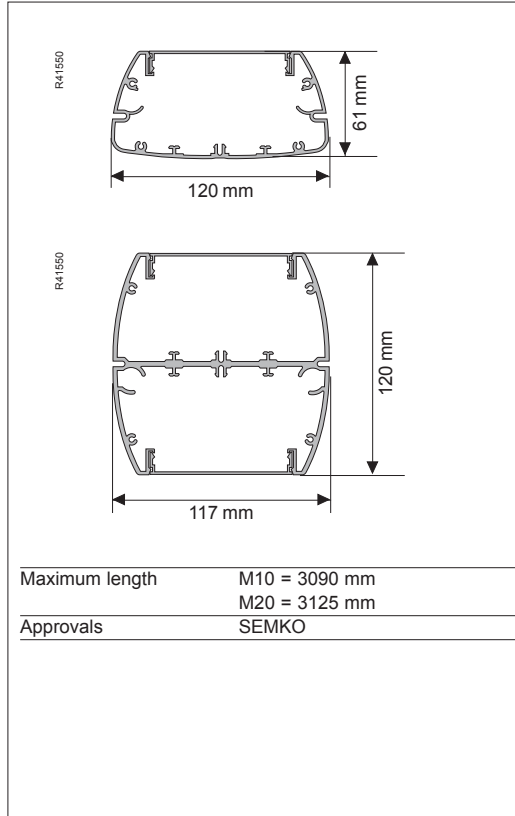
Maximum length	5 m
Length of flexible conduit	From 300 to 2000 mm
Installation box height	Standard height 590 or 700 mm
	Optional free heights 100–1000 mm
Approvals	SEMKO, FIMKO, NEMKO

#### Exploded view

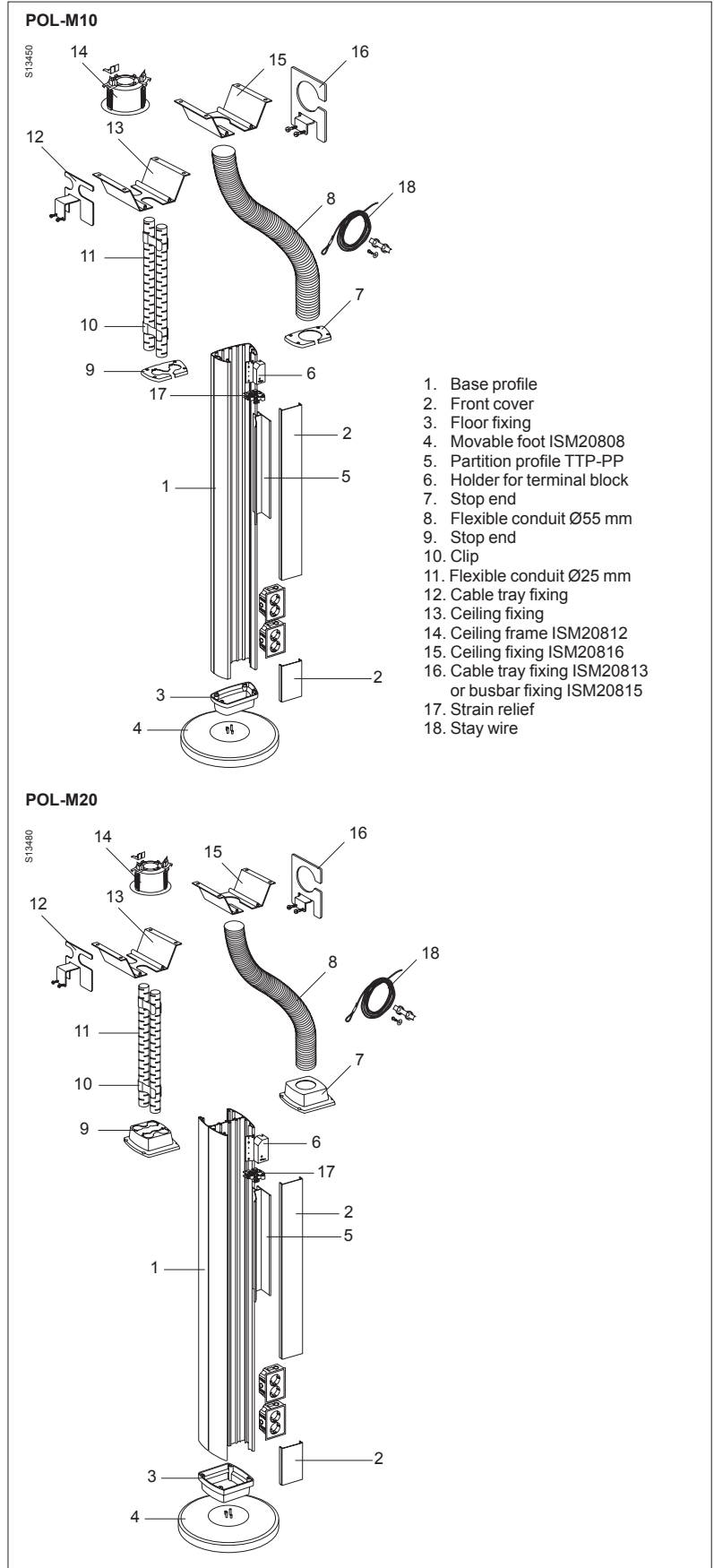
1. Base profile, back
2. Cover
3. Separation wall
4. Ceiling frame POL-CF7
5. Flexible conduit Ø55 mm
6. Adaptor POL-AF1 for flexible conduit
7. Ceiling fixing ISM20816
8. Front cover
9. Stop end
10. Wall bracket, angled
11. Wall bracket POL-VF2
12. Service box profile

### POL-M10/M20

#### Design and dimensions

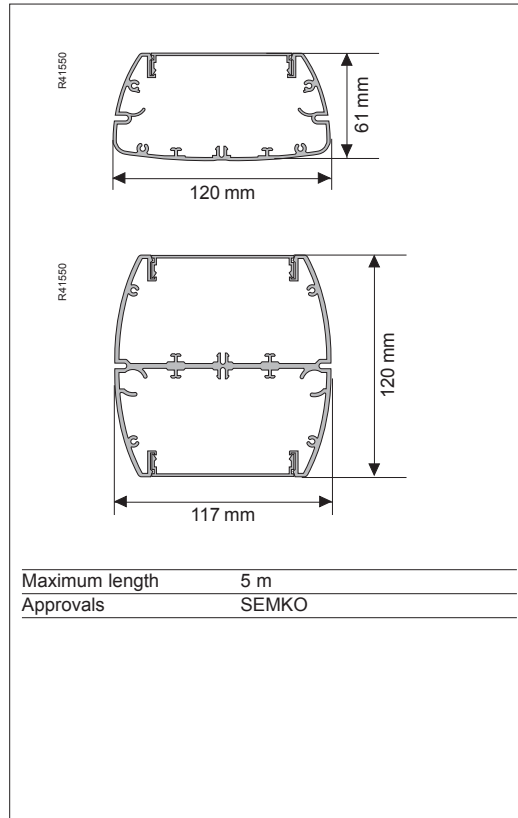


#### Exploded view

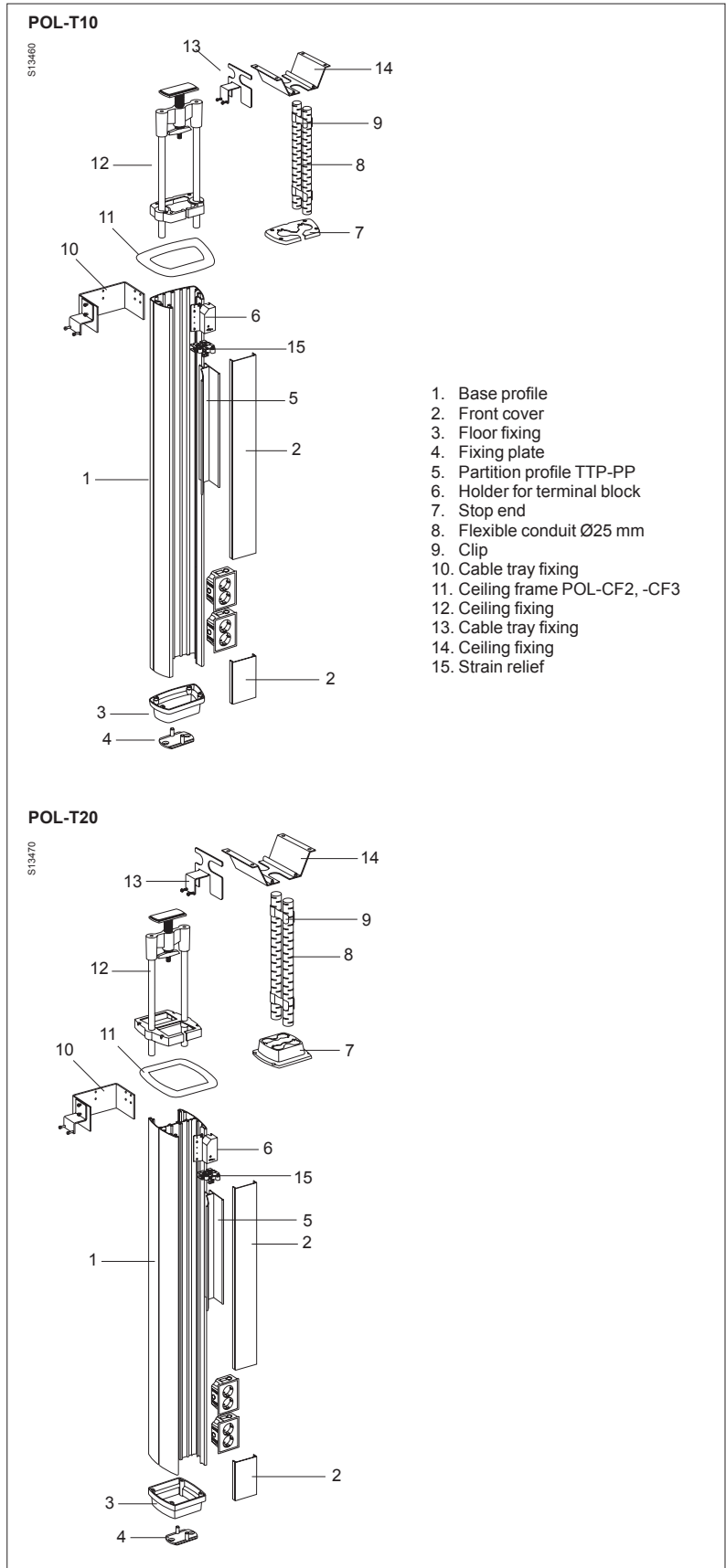


### POL-T10/T20

#### Design and dimensions

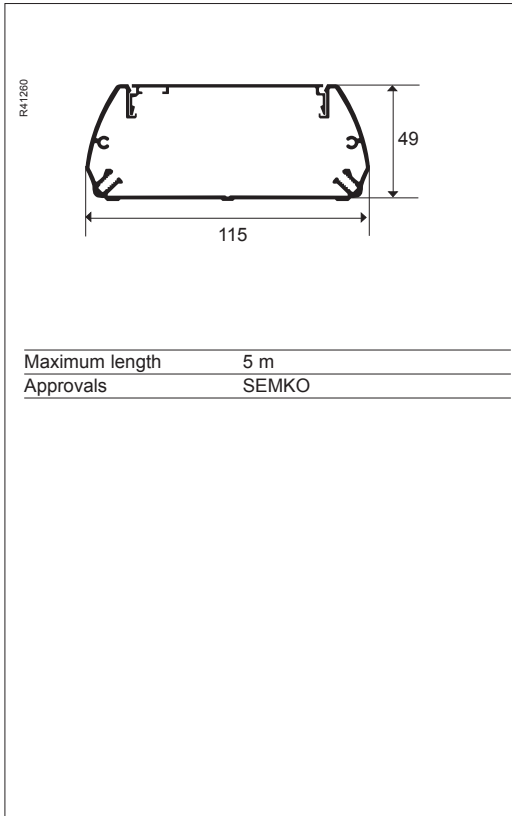


#### Exploded view

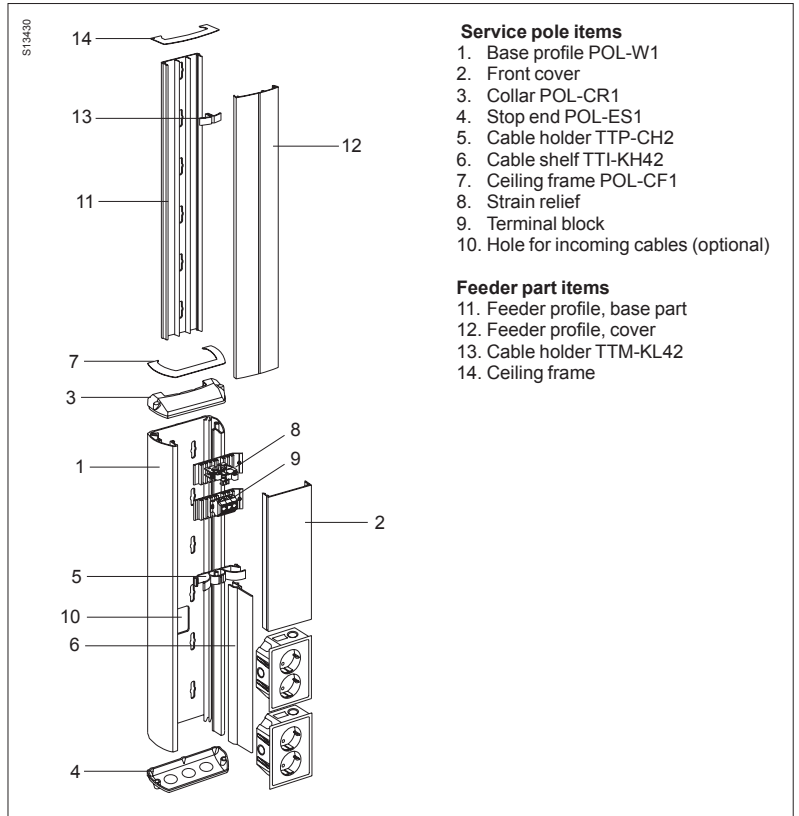


### POL-W1

#### Design and dimensions



#### Exploded view





# POL

## Technical description

### Cable capacity

Comp.	Max Ø mm	Cross section area mm <sup>2</sup>	Cable capacity*) mm <sup>2</sup>		
			40%	50%	60%
<b>POL-T10, -M10</b>					
1	49	5303	2121	2651	3182
With partition profile					
1	23	1210	484	605	726
2	31	1877	751	938	1126
3	36	1971	788	985	1182
With CAN, MIB and CYB boxes, 44 mm deep (external measure)					
1	16	2090	836	1045	1254
<b>Ceiling fixing</b>					
1	46	3279	1311	1639	1967
<b>Flexible conduit</b>					
1 (2x)	23	415	166	208	249
<b>POL-O, -OM, -OW</b>					
1	40	1793	717	896	1076
2	22	870	348	435	522
3	20	840	336	420	504
With CAN, MIB and CYB boxes, 44 mm deep (external measure)					
1	22	1856	724	928	1114
With CYB boxes, 32 mm deep (external measure)					
1	33	2614	1046	1307	1568
<b>Flexible conduit Ø25</b>					
1	23	415	166	208	249
<b>Flexible conduit Ø20</b>					
1	18	254	102	127	152

Comp.	Max Ø mm	Cross section area mm <sup>2</sup>	Cable capacity*) mm <sup>2</sup>		
			40%	50%	60%
<b>POL-T20, -M20</b>					
1	50	5622	2249	2811	3373
2	50	5320	2128	2660	3192
With partition profile					
1	32	1374	550	687	824
2	30	1735	694	867	1041
3	41	2187	875	1093	1312
4	29	1220	488	610	732
5	30	1735	694	867	1041
6	39	2033	813	1016	1220
With CAN, MIB and CYB boxes, 44 mm deep (external measure)					
1	21	2439	975	1219	1463
2	17	2131	852	1065	1278
<b>Ceiling fixing (POL-T20)</b>					
1 (2x)	46	7096	2838	3548	4257
<b>Flexible conduit</b>					
1 (2x)	23	415	166	208	249
<b>POL-W1</b>					
1	44	4283	1713	2141	2570
With cable holder TTP-CH2					
1, 3	22	160	64	80	96
2	25	288	115	144	173
4	20	103	41	52	62
With cable holder TTP-CH2 and cable shelf TTI-KH42					
1, 3	22	160	64	80	96
2	25	125	50	63	75
4	18	172	69	86	103
5	8	126	50	63	76
With CAN, MIB and CYB boxes, 44 mm deep (external measure)					
1, 2	12	519	151	314	376
With CYB boxes, 32 mm deep (external measure)					
1	13	2037	815	1018	1222

\*) We recommend a 40% utilization of the cable capacity.

---

### Cross section area, mm<sup>2</sup>

Round cable Ø mm	Number of cables									
	1	2	3	4	5	6	7	8	9	10
3	7.1	14.2	21.3	28.4	35.5	42.6	49.7	56.8	63.9	71.0
4	12.6	25.2	37.8	50.4	63.0	75.6	88.2	101	113	126
5	19.6	39.2	58.8	78.4	98.0	118	137	157	176	196
6	28.3	56.6	84.9	113	142	170	198	226	255	283
7	38.5	77.0	116	154	193	231	270	308	347	385
8	50.0	100	150	200	250	300	350	400	450	500
9	63.7	127	191	255	319	382	446	510	573	637
10	78.5	157	236	314	393	471	550	628	707	785
11	95	190	285	380	476	570	665	760	855	950
12	113	226	339	452	565	678	791	904	1017	1130
13	133	266	399	532	665	798	931	1064	1197	1330
14	154	308	462	616	770	924	1078	1232	1386	1540
15	177	354	531	708	885	1062	1239	1416	1593	1770
16	201	402	603	804	1005	1206	1407	1608	1809	2010
17	227	454	681	908	1135	1362	1589	1816	2043	2270
18	255	510	765	1020	1275	1530	1785	2040	2295	2550
19	284	568	852	1136	1420	1704	1988	2272	2556	2840
20	315	630	945	1260	1575	1890	2205	2520	2835	3150

Oval cable mm										
2 x 3	5.2	10.4	15.6	20.8	26	31.2	36.4	41.6	46.8	52
2 x 5	9.2	18.4	27.6	36.8	46	55.2	64.4	73.6	82.8	92
3 x 6	16.1	32.2	48.3	64.4	80.5	96.6	112.7	128.8	144.9	161
4 x 7	24.6	49.2	73.8	98.4	123	147.6	172.2	196.8	221.4	246