

POS



### Description

The service posts type Thorsman POS have been designed to handle the supply of power and communication cables for modern, flexible office solutions.

They offer large capacity on a minimal floor-area, with easy access to the service content, which is of Thorsman CYB type.

The posts are supplied pre-wired, specified in the pre-wired systems configurator PSC-NET. Each pre-wired and factory-produced service post is supplied with a unique serial number, to facilitate identification, additional orders, etc.

There is also a number of pre-defined standard posts available for fast delivery.

### POS-F10/F20

POS-F10 is a slim one-sided post and POS-F20 a two-sided post for enhanced capacity. Both posts have longitudinal screw slots that can be provided with decorative strips.

### Standards & approvals

Standard	SS 424 10 32
Approval	SEMKO
	VDE pending.

### Material data POS-F10 and -F20

Base profile, front cover, floor fixing, stop end	Material	Aluminium SS 4104
	Density	2.7 g/cm <sup>3</sup>
	Linear expansion	2.4x10 <sup>-5</sup> /°C
	Surface treatment	Anodizing or powder coating
	Colour spec.	<ul style="list-style-type: none"> <li>• Natural anodizing</li> <li>• White NCS 0402-B91G (Except empty posts, which are white RAL 9010)</li> <li>• Grey RAL 9007</li> </ul>

Foot	Material	Cast iron
	Density	7.3 g/cm <sup>3</sup>
	Linear expansion	1.2x10 <sup>-5</sup> /°C
	Surface treatment	Coated with clear varnish

### Operative data

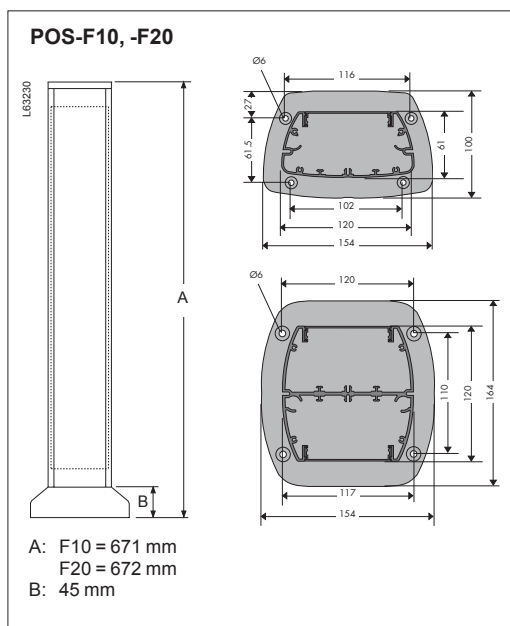
Temperature range	From -15°C to +60°C
Suitable outdoors	No
Degree of protection	IP30
Electrical data	230/400V, 16 A

### Mounting instruction

Mounting instructions are enclosed with the product. Mounting instructions are also available on [PI@net](mailto:PI@net).

POS-F10/F20	Art.No. 0075226 / 20017189
-------------	----------------------------

### Design & dimensions



## Customized, pre-wired service posts

Type	Colour	Dimensions ABC (mm)	Qty per package	EAN code	Ref. No.
------	--------	------------------------	--------------------	----------	----------



Customized and pre-wired service posts for installations of power and communication from the floor. POS-F4 can be defined either with service boxes mounted on the post or with satellite boxes for mounting on for instance a desk, or as a combination of both types. Specification is made in PSC-NET. Suitable for open-plan offices, shops, exhibition halls, etc. All posts are CE-marked according to the Low Voltage Directive (LVD).  
Material: Aluminium (profiles, front covers).

### POS-F10, POS-F20

POS-F10 One-sided post	Optional	671/100/154	1	—	9338 xxx*
POS-F20 Two-sided post	Optional	672/164/154	1	—	9339 xxx*



P60833  
P60508

\* The last three figures of the article identification number are dependent on the price interval of the pole.

## Pre-defined, pre-wired service posts

### One-sided post

Pre-wired service post mounted on a foot, one-sided or two-sided. Unearthed. Equipped with access and outlet system type Thorsman CYB including connection cable and plug/modular plug.

Including, on each side:

- Schuko 250V/16A: two triple master outlets, one of which is marked DATA, and one double slave outlet.
- Communication outlets, see below.

The triple master outlets and the communication outlets are provided with label windows for easy marking.

External cables: two unshielded 3x1.5 mm<sup>2</sup> with side-earthed plug, 2.7 m free length, and two Cat. 6 UTP data cables with RJ45 plugs, 9.5 m free length.

Material: Aluminium.

POS-F10 With 1 x CYB-BK12 including 2 x Actassi Cat. 6 UTP and 2 x blank plate	Anodized White	671/100/154	1	7315880113218 7315880113225	5868 325 5868 326
--	-------------------	-------------	---	--------------------------------	----------------------



P72854

## Empty service posts

Empty, free-standing service post mounted on a foot. Including aluminium front cover, stop end part and mounting instructions. Also including gasket ring. Unearthed. Supplied without service content and cables.

Material: Aluminium.

POS-F10 One-sided	Anodized White RAL 9010	671/100/154	1	7315885868328 7315880103103	5868 320 5868 321
POS-F20 Two-sided	Anodized White RAL 9010	672/164/154	1	7315885868427 7315880102939	5868 420 5868 421



P72850

P72851

## Accessories

### Floor fixings

Floor fixing for POS-F10 and F20 respectively. Fixed to the floor by screws. Provided with gasket ring.

Material: Aluminium, powder coated.

POS-FT10	Grey	45/154/100	1	7315880096795	5870 241
POS-FT20	Grey	45/164/154	1	7315880096818	5870 246



Floor fixing for POS-F10 and F20 respectively. Fixed to the floor by screws. Provided with gasket ring and slot for connection of floor feeder profile FED-F1 (Ref.No. 5435 210).

Material: Aluminium, powder coated.

POS-FN10	Grey	45/154/100	1	7315880096825	5870 251
POS-FN20	Grey	45/164/154	1	7315880096849	5870 256




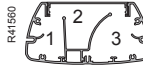
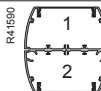
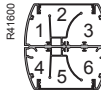
P85101

P85102

P85103

P85109

### Cable capacity

Comp.	Max Ø mm	Cross section area mm <sup>2</sup>	Cable capacity mm <sup>2</sup>		
			40%	50%	60%
<b>POS-F10</b>					
					
1	49	5303	2121	2651	3182
With partition profile					
					
1	23	1210	484	605	726
2	31	1877	751	938	1126
3	36	1971	788	985	1182
With CAN, MIB and CYB boxes, 44 mm deep (external measure)					
1	16	2090	836	1045	1254
<b>POS-F20</b>					
					
1	50	5622	2249	2811	3373
2	50	5320	2128	2660	3192
With partition profile					
					
1	32	1374	550	687	824
2	30	1735	694	867	1041
3	41	2187	875	1093	1312
4	29	1220	488	610	732
5	30	1735	694	867	1041
6	39	2033	813	1016	1220
With CAN, MIB and CYB boxes, 44 mm deep (external measure)					
1	21	2439	975	1219	1463
2	17	2131	852	1065	1278

### Exploded views

