

UFB-700

UFB-900

UFB-700, UFB 900

Presentation



Floor outlet boxes UFB-700 & -900

Description

UFB-700 and UFB-900 are floor outlet boxes for dry premises with an in-cavity floor or a raised access floor. For casting in concrete, the floor outlet boxes should be used in conjunction with screeded floor box UFB-IG or former UFB-RF.

The rectangular UFB-700 is 220x310 mm and the square UFB-900 is 310x310 mm. The dimension of the hole in the floor is 201x292 ±1 mm for UFB-700 and 292x292 ±1 mm for UFB-900.

The required smallest installation depth for the floor outlet boxes is 110 mm and the greatest internal depth 54 mm.

The boxes are based on a grid for the outlets and connections, completed by a trim frame with a lid.

Grid

The grid has three F80® openings for CYB outlets for power, telecom and data.

Grid infill UFB-L is to be used to cover space that is not taken up by an outlet.

Trim frame and lid

The lid that can be trimmed with any material of up to 8 mm thickness. Note, however, that hard, brittle materials like stone should be avoided, since there is a risk that they might crack.

The trim frame is provided with a flange that bears upon the flooring to conceal the edge of the hole and to outbalance the loads exerted on the box.

In the 80° opening position the lid is self-closing. When required, the lid can be kept open or completely removed by pressing down the red buttons at the hinges.

The lid is reinforced by of 4 mm thick sheet steel inlay. The strength has been tested according to DIN VDE 0634 Part 1 and it fulfils requirements according to PSA Specification MOB PF2 Jan. 1992.

Description of the strength tests and test results are available on request.



UFB-700, UFB 900 Range

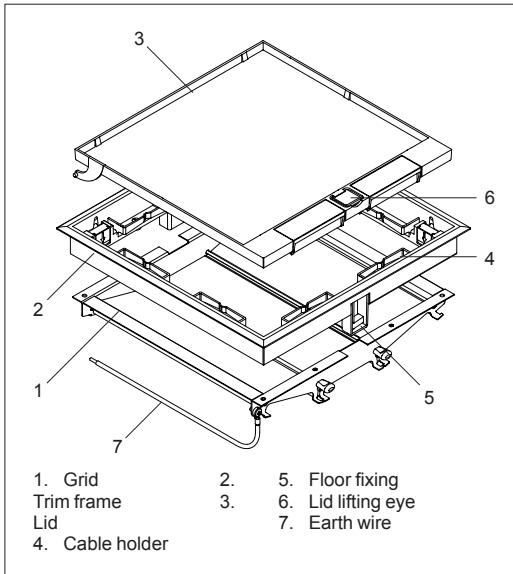
UFB-700 & -900

Type	Colour	Dimensions A/B/C (mm)		Qty per package	EAN code	Ref. No.
Floor outlet box						
Complete floor outlet box including grid, trim frame and lid, with the grid mounted onto the trim frame. Suitable for raised access floors, in-cavity floors and screeded floors with a minimum height of 110 mm; in the latter case in combination with screeded floor box UFB-IG or former UFB-RF. Grid infills UFB-L165 or UFB-L252 to be used to fill empty openings in the grid. Material: PA6, sheet steel, extruded aluminium.						
 P106171	UFB-700	Grey RAL 7011	73/220/310	1	7332418020336	5197 005
 P106170	UFB-900	Grey RAL 7011	73/310/310	1	7332418020343	5197 055
Grid infill						
Grid infill intended to cover space that is not taken up by an outlet. Material: PC/ABS, white RAL 9016.						
 P111239	UFB-L165	White	13/80/165	10	7315885197411	5197 410
	UFB-L252	White	13/80/252	10	7315885197442	5197 440
Locking kit						
Locking kit for the lid, to be used as an extra protection against unauthorized access; opened by means of a screw-driver. Material: PA6.6 with 30% glass-fibre..						
 P67885	UFB-LL	Grey	27/36/35	1	7315885197251	5197 250
Cable outlet						
Cable outlet kit, to be used if a cable outlet of UFB-700 or -900 has to be exchanged. Material: PA6.						
 P111055	UFB-CO	Grey RAL 7011	32/78/35	1	7315885150775	5150 770
Former						
Former to be used when making cavities in in-cavity floors, or as an alternative to a screeded floor box in screeded floors. To be placed on the floor slab before the concrete is poured. As soon as the concrete has hardened, the former can be removed. Material: EPS (foamed).						
 P67886	UFB-RF For UFB-700	White	115/250/340	5	7315885197916	5197 910
	UFB-RF For UFB-900	White	115/340/340	5	7315885197923	5197 920

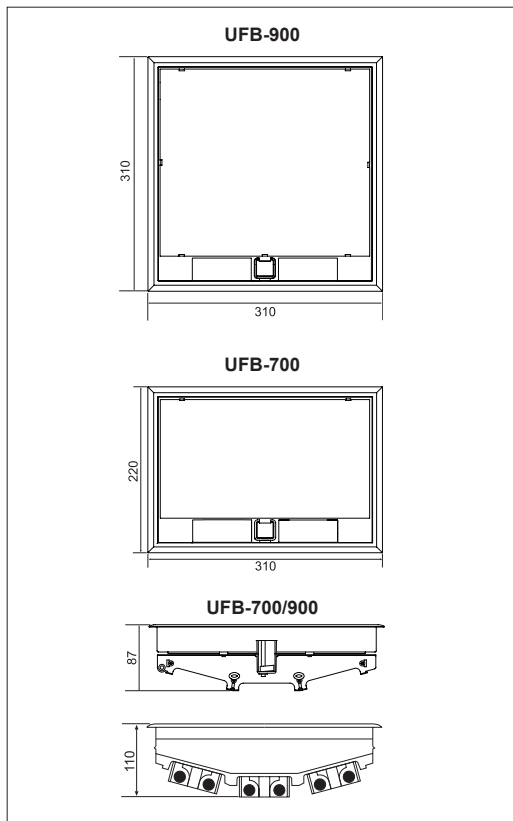
UFB-700, UFB 900

Description

Exploded view UFB-700 & -900



Design and dimensions



Degree of protection

Complies with IP20 in accordance with IEC 529.

Cable capacity

2x600 mm² max. cable Ø 14 mm.

Standards

- DIN VDE 0634 Teil 1
- PSA Specification MOB PF2 PS, Jan 1990

Approvals

VDE.

Material data

Extruded aluminium	Specification:	AlMg 0.5 Si (AA 6063)
	Density:	2.6 g/cm ³
	Linear expansion:	2.4x10 ⁻⁶ m/m°C
Sheet steel	Specification:	S 235 JR
	Surface treatment:	Galvanized Z275
Steel (lid plate)	Specification:	S 350 GD
	Material thickness:	4 mm
	Density:	7.8 g/cm ³
	Surface treatment:	Galvanized Z 275
Spring steel (lid lifting handle)	Specification:	DIN 17223
	Density:	7.8 g/cm ³
	Surface treatment:	Electroplated Fe/Zn 5 c1
PC/ABS	Density	1.14 g/cm ³
	Linear expansion	70x10 ⁻⁶ /°C
	Volume resistivity	>10 ¹³ Ω cm
	Water absorption	0.6%
	Dielectric strength	19 kV/mm
	Fire rating	UL 94 HB (halogen-free)
	Colour	White RAL 9016
PA6	Density:	1.13 g/cm ³
	Linear expansion:	100x10 ⁻⁶ m/m°C
	Water absorption:	2.8%
	Volume resistivity:	>10 ¹⁵ Ω cm
	Dielectric strength:	60 kV/cm
	Fire rating:	UL 94 V-2 (halogen-free)
	Colours:	Grey RAL 7011 (≈NCS 6905-B05G) Red
PA6.6 with 30% glass-fibre	Density:	1.35 g/cm ³
	Linear expansion:	40x10 ⁻⁶ m/m°C
	Water absorption:	1.7%
	Volume resistivity:	>10 ¹² Ω cm
	Dielectric strength:	70 kV/mm
	Fire rating:	UL 94 HB (0.79 mm halogen-free)
	Colours:	Grey RAL 7011 (≈NCS 6905-B05G)
EPS S15 (foamed polystyrene)	Density:	0.015 g/cm ³
	Colour:	White
Fireflex (foam cushion)	Specification:	S305+4610 B1
	Colour:	Grey

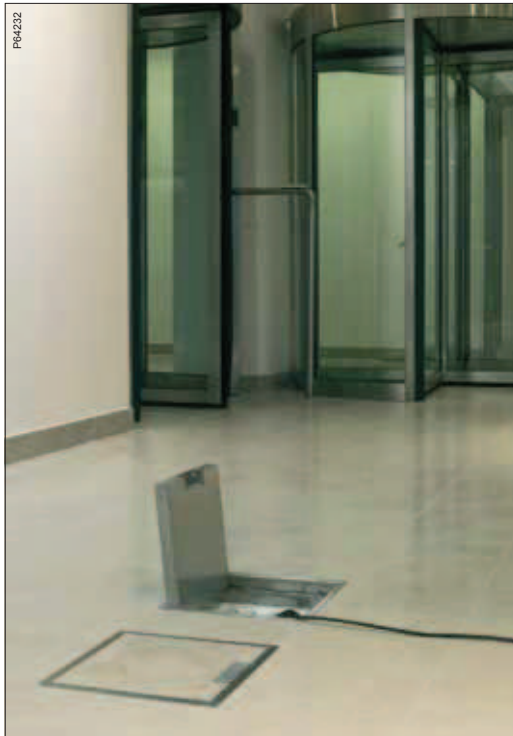
Operative data

Compatible with	<ul style="list-style-type: none"> • Floors approved for dry premises. • Raised access floors (RAF), in-cavity floors, screeded floors in conjunction with UFB-IG or UFB-RF. • Boxes CYB and MIB. • Outlet system CYB and standard outlets.
Not compatible with	<ul style="list-style-type: none"> • Floors approved to withstand water. • Floors with a smaller construction height than 110 mm. • Standard outlets with larger covering plates than 84 mm.

UFB-700M

UFB-900M

UFB-700M, UFB900M Presentation



Floor outlet boxes UFB-700M, & -900M

Description

UFB-700M and 900M are floor outlet boxes made of stainless steel, intended for in-cavity floors or raised access floors. The boxes are mainly intended for dry premises, but if provided with a centre-positioned cable exit and completed by a special sealing, they can also be used in wet-cleaned applications. For casting in concrete, the boxes should be used in conjunction with screeded floor box UFB-IG.

Trim frame and lid

The trim frame is provided with a flange that bears upon the flooring to conceal the edge of the hole and to outbalance the loads exerted on the box.




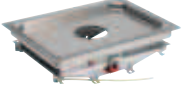










The lid is available in two thicknesses, 15 mm and 25 mm, and with a cable exit position either in the centre or on the side. The centre cable exit can be completed by a cable exit unit with or without spacer tube.

Grid

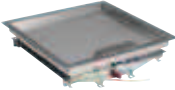
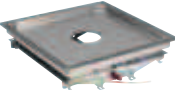











The grid has three F80® openings for CYB outlets for power, telecom and data.

Grid infill UFB-L is to be used to cover space that is not taken up by an outlet.



UFB-700M						
Type	Colour	Dimensions A/B/C (mm)		Qty per package	EAN code	Ref. No.
Floor outlet box for dry applications						
Complete floor outlet box including grid, trim frame and lid, supplied with earth cable, floor fixings and fixing screws. The lid is provided with a cable exit in side position and can be trimmed with optional floor material up to 15 or 25 mm thickness respectively. Suitable for dry applications in raised access floors, in-cavity floors and screeded floors with a minimum height of 115 or 125 mm respectively; in screeded floors in combination with screeded floor box UFB-IG and installation cover UFB-MP for UFB-700. Material: Stainless steel X5 CrNi 18-10.						
	—	89/231/322		1	7332418020206	5198 715
	—	99/231/322		1	7332418020220	5198 725
Floor outlet box for wet-cleaned floors						
Complete floor outlet box including grid, trim frame and lid, supplied with earth cable, floor fixings and fixing screws. The lid is provided with a cable exit in centre position, suitable for cable exit unit with or without spacer tube, and can be trimmed with optional floor material up to 15 or 25 mm thickness respectively. Suitable for wet-cleaned raised access floors, in-cavity floors and screeded floors with a minimum height of 115 or 125 mm respectively; in screeded floors in combination with screeded floor box UFB-IG and and installation cover UFB-MP for UFB-700. Material: Stainless steel X5 CrNi 18-10.						
	—	89/231/322		1	7332418020282	5198 716
	—	89/231/322		1	7332418020213	5198 717
	—	99/231/322		1	7332418020299	5198 726
	—	99/231/322		1	7332418020237	5198 727
Cable exit unit without spacer tube						
Cable exit unit without spacer tube, for UFB-700M and 900M with a centre-positioned cable exit. The cover of the unit is provided with two cavities, suitable for a special opening tool. The tool is supplied with the product. Material: Aluminium AlMg 0.5 Si (AA 6063).						
	Anodized	15/Ø96		1	7315885198104	5198 100
	Anodized	25/Ø96		1	7315880108580	5198 102
Cable exit unit with spacer tube						
Cable exit unit including spacer tube, for UFB-700M and 900M with centre-positioned cable exit. The cover of the unit is provided with two cavities, suitable for a special opening tool. The tool is supplied with the product. Material: Aluminium AlMg 0.5 Si (AA 6063).						
	Anodized	67/Ø96		1	7315880108597	5198 104
	Anodized	67/Ø96		1	7315880108603	5198 106
Sealing						
Sealing to be inserted in the trim frame for wet-cleaned floor applications. NOTE! Can only be used in conjunction with centre-positioned cable exit. Suitable for UFB-700M. Material: Foam rubber.						
	Black	6/196/287		1	7315885198135	5198 130
Grid infill						
Grid infill intended to cover space that is not taken up by an outlet. Material: PC/ABS, white RAL 9016.						
	White	13/80/165		10	7315885197411	5197 410
Former						
Former to be used when making cavities in in-cavity floors, or as an alternative to a screeded floor box in screeded floors. To be placed on the floor slab before the concrete is poured. As soon as the concrete has hardened, the former can be removed. Material: EPS (foamed).						
	White	115/250/340		5	7315885197916	5197 910

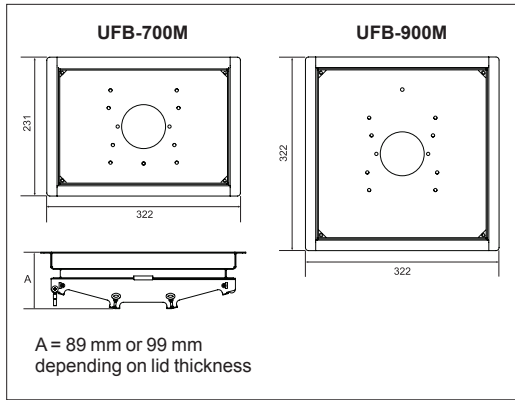
UFB-900M

Type	Colour	Dimensions A/B/C (mm)	Qty per package	EAN code	Ref. No.
Floor outlet box for dry applications					
Floor outlet box including grid, trim frame and lid, supplied with earth cable, floor fixings and fixing screws. The lid is provided with a cable exit in side position and can be trimmed with optional floor material up to 15 or 25 mm thickness respectively. Suitable for dry applications in raised access floors, in-cavity floors and screeded floors with a minimum height of 115 or 125 mm respectively; in screeded floors in combination with screeded floor box UFB-IG and an installation cover UFB-MP for UFB-900. Material: Stainless steel X5 CrNi 18-10.					
 P108174	—	89/322/322	1	7332418020244	5198 915
UFB-900M 15 mm lid with side exit					
 P108175	—	99/322/322	1	7332418020268	5198 925
UFB-900M 25 mm lid with side exit					
Floor outlet box for wet-cleaned floors					
Floor outlet box including grid, trim frame and lid, supplied with earth cable, floor fixings and fixing screws. The lid is provided with a cable exit in centre position, suitable for cable exit unit with or without spacer tube, and can be trimmed with optional floor material up to 15 or 25 mm thickness respectively. Suitable for wet-cleaned raised access floors, in-cavity floors and screeded floors with a minimum height of 115 or 125 mm respectively; in screeded floors in combination with screeded floor box UFB-IG and an installation cover UFB-MP for UFB-900. Material: Stainless steel X5 CrNi 18-10.					
 P67882	—	89/322/322	1	7332418020305	5198 916
UFB-900M 15 mm lid with centre exit					
 P67881	—	89/322/322	1	7332418020251	5198 917
UFB-900M 15 mm screw-fixed lid with centre exit					
 P67883	—	99/322/322	1	7332418020312	5198 926
UFB-900M 25 mm lid with centre exit					
 P111239	—	99/322/322	1	7332418020275	5198 927
UFB-900M 25 mm screw-fixed lid with centre exit					
Cable exit unit without spacer tube					
Cable exit unit without spacer tube, for UFB-700M and 900M with a centre-positioned cable exit. The cover of the unit is provided with two cavities, suitable for a special opening tool. The tool is supplied with the product. Material: Aluminium AlMg 0.5 Si (AA 6063).					
 P67882	Anodized	15/Ø96	1	7315885198104	5198 100
UFB-CE For 15 mm lid					
 P67881	Anodized	25/Ø96	1	7315880108580	5198 102
UFB-CE For 25 mm lid					
Cable exit unit with spacer tube					
Cable exit unit including spacer tube, for UFB-700M and 900M with centre-positioned cable exit. The cover of the unit is provided with two cavities, suitable for a special opening tool. The tool is supplied with the product. Material: Aluminium AlMg 0.5 Si (AA 6063).					
 P67883	Anodized	67/Ø96	1	7315880108597	5198 104
UFB-CEW For 15 mm lid					
 P111239	Anodized	67/Ø96	1	7315880108603	5198 106
UFB-CEW For 25 mm lid					
Sealing					
Sealing to be inserted in the trim frame for wet-cleaned floor applications. NOTE! Can only be used in conjunction with centre-positioned cable exit. Suitable for UFB-900M. Material: Foam rubber.					
 P67883	Black	6/287/287	1	7315880108481	5198 135
UFB-S900					
Grid infill					
Grid infill intended to cover space that is not taken up by an outlet. Material: PC/ABS, white RAL 9016.					
 P111239	White	13/80/252	10	7315885197442	5197 440
UFB-L252					
Former					
Former to be used when making cavities in in-cavity floors, or as an alternative to a screeded floor box in screeded floors. To be placed on the floor slab before the concrete is poured. As soon as the concrete has hardened, the former can be removed. Material: EPS (foamed).					
 P67886	White	115/340/340	5	7315885197923	5197 920
UFB-RF For UFB-900					

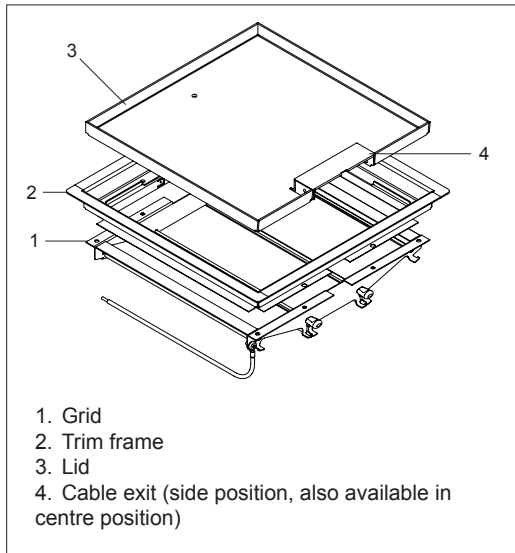
UFB-700M, UFB900M

Technical description

Design and dimensions



Exploded view



Dimensions

	External dim., mm	Dim. of hole in floor, mm	Smallest inst. depth, mm
UFB-700M, lid 15	231x322	201x292 ±1	115
UFB-700M, lid 25	231x322	201x292 ±1	125
UFB-900M, lid 15	322x322	292x292 ±1	115
UFB-900M, lid 25	322x322	292x292 ±1	125

The greatest internal depth is 52 mm.

Degree of protection

Complies with IP20 in accordance with IEC 529.

Cable capacity

UFB-700M/900M	Cable exit in side position: one 14x97 mm (1358 mm ²)
	Cable exit in centre position
	– with spacer tube: two 12x40 mm (2x480 mm ²)
	– without spacer tube: one Ø67 mm

Standards

- DIN VDE 0634 Teil 1
- PSA Specification MOB PF2 PS, Jan 1990

Material data

Extruded aluminium	Specification: AIMg 0.5 Si (AA 6063)
	Density: 2.6 g/cm ³
	Linear expansion: 2.4x10 ⁻⁶ m/m°C
Aluminium	Specification: AIMg 0.5 Si (AA 6063)
	Density: 2.6 g/cm ³
	Linear expansion: 2.4x10 ⁻⁶ m/m°C
	Surface treatment: Anodizing
Sheet steel	Specification: S 235 JR
	Surface treatment: Galvanized Z275
Stainless steel	Specification: X5CrNi 18-10
	Density: 7.8 g/cm ³
PC/ABS	Density: 1.14 g/cm ³
	Linear expansion: 70x10 ⁻⁶ /°C
	Volume resistivity: >10 ¹³ Ω cm
	Water absorption: 0.6%
	Dielectric strength: 19 kV/mm
	Fire rating: UL 94 HB (halogen-free)
	Colour: White RAL 9016
Foam rubber	Colour: Black

Operative data

Compatible with	<ul style="list-style-type: none"> • Raised access floors (RAF) and in-cavity floors • Screeded floors in conjunction with UFB-IG • Floors approved for dry premises (NOTE! Boxes provided with a sealing and with cable exit in centre position can be used in floors approved for wet cleaning) • Boxes CYB and MIB. • Outlet system CYB and standard outlets.
Not compatible with	<ul style="list-style-type: none"> • Floors with a smaller construction height than <ul style="list-style-type: none"> – 115 mm for UFB-700M/900M with 15 mm lid – 125 mm for UFB-700M/900M with 25 mm lid
	Standard outlets with larger covering plates than 84 mm.

UFB-800

UFB-800

Presentation



Floor outlet box UFB-800

Description

UFB-800 is a round floor outlet box for dry premises. For casting in concrete, UFB-800 should be used with screeded floor box UFB-IG or former UFB-RF.

UFB-800 requires a minimum depth of 70 mm in a finished floor and a hole with a diameter of 305 ± 1 mm.

Grid

The grid holds up to twelve outlets for 230 V (CYB-PS triple Schuko). In the three F80® openings in the grid, five standard outlets Ø84 mm, can be installed. The grid also has four 17.5x18.2 mm knockouts for Actassi modular outlets.

The grid is attached to matrix positions in the trim frame with four combined lifting handles/fasteners. The matrices have a pitch of 5 mm and require a floor depth from 70 to 100 mm. The internal unobstructed depth of the floor outlet box is then 15 to 45 mm. A minimum floor depth of 75 mm is required for an angled standard plug in a schuko outlet, and a floor depth of at least 85 mm is required for an angled data cover (CYB-BK1).

The grid can be detached from the trim frame and lid, which means that it can be supplied separately and installed in conjunction with other installation work.

Trim frame and lid

The trim frame is available in two different colours, with a lid that can be trimmed with any material of up to 5 mm thickness. The patented floor fixing devices function irrespective of the depth of the floor or the type of wall in the hole. The floor fixing expands as the screw is inserted, giving a large contact surface and permitting attachment in both hard and porous floor materials.

The trim frame is provided with a flange that bears upon the flooring to conceal the edge of the hole and to outbalance the loads exerted on the box.

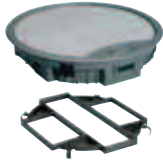
The lid can be opened in two positions; either through 80°, in which case it is self-closing, or through 180° during service. The lid can be installed facing in four directions (at 90° intervals) without having to rotate the installation.

The lid is reinforced with a 4 mm sheet steel plate. The strength has been tested according to DIN VDE 0634 Part 1 and it fulfils requirements according to PSA Specification MOB PF2 Jan. 1992.

Description of the strength tests and test results are available on request.

UFB-800 with accessories

P67889



Type	Colour	Dimensions A/B/C (mm)	Qty per package	EAN code	Ref. No.
------	--------	-----------------------	-----------------	----------	----------

Floor outlet box, complete

Complete floor outlet box including grid, trim frame and lid. The lid can be installed in four positions. The grid has three F80® openings (1x284 and 2x142) for installation of power, telecommunications and data outlets, and four 17.5x18.2 mm knockouts for Actassi modular outlet. The knockouts can also be used for conduits when an uninterrupted cable is to pass through the box. The grid is snapped into the trim frame and is adjustable in seven steps from 70 mm to 100 mm. Grid infill UFB-L142 to be used to fill empty openings in the grid. Suitable for raised access floors, in-cavity floors and screeded floors with a minimum height of 70 mm; in the latter case in combination with screeded floor box UFB-IG.

Material: PA/ABS, PA6.6 with 35% glass-fibre, sheet steel S 350 GD.

UFB-800	Grey	64/Ø329	1	7315885197107	5197 100
	Anthracite			7315880044512	5197 104

Locking kit

Locking kit to be mounted in the lid as an extra protection against unauthorized access; opened by means of a screw-driver.

Material: PA6.6 with 30% glass-fibre.

UFB-LL	Black	10/41/153	1	7315885197268	5197 260
--------	-------	-----------	---	---------------	----------

Cutting template

Cutting template to be used when cutting flooring material to size for trimming the lid, or as a spacer when a carpet of 4 mm thickness or thinner is used.

Material: Aluminium AlSi 1.5 Mn, natural anodized.

UFB-TP800	Anodized	1.5/294/271	1	7315885197909	5197 900
-----------	----------	-------------	---	---------------	----------

Former

Former to be used instead of core-drilling in in-cavity floors, or as an alternative to a screeded floor box in screeded floors.

Material: EPS (foamed).

UFB-RF	White	120/Ø305	5	7315880053309	5197 915
--------	-------	----------	---	---------------	----------

P77805



P67893



P67894



Degree of protection

Complies with IP20 in accordance with IEC 529.

Cable capacity

1200 mm² max. Ø 13 mm in the cable exit.

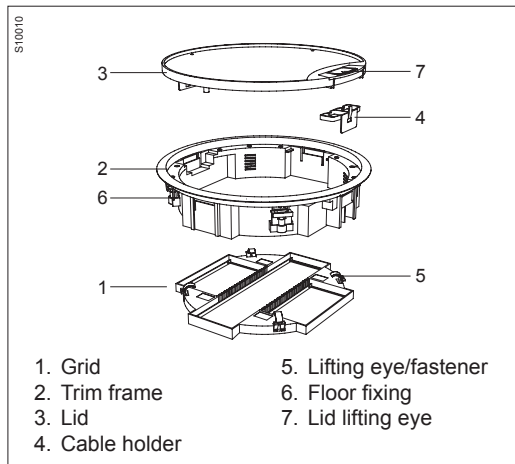
Standards

- DIN VDE 0634 Teil 1
- PSA Specification MOB PF2 PS, Jan 1990

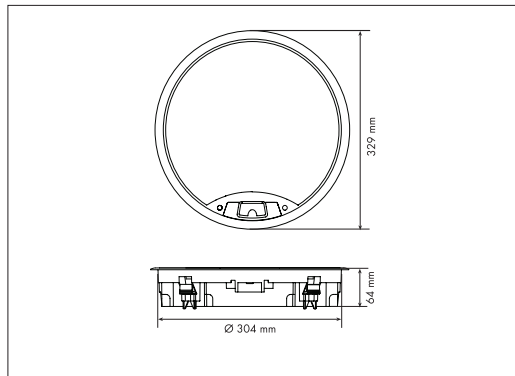
Material data

PA6.6 with 35% glass-fibre	Density:	1.45 g/cm ³
	Linear expansion:	20x10 ⁻⁶ m/m°C
	Water absorption:	1.1%
	Volume resistivity:	>10 ¹³ Ω cm
	Dielectric strength:	70 kV/cm
	Fire rating:	UL 94 V-0 (halogen-free)
	Colour:	Black
PA6.6 with 30% glass-fibre	Density:	1.35 g/cm ³
	Linear expansion:	40x10 ⁻⁶ m/m°C
	Water absorption:	1.7%
	Volume resistivity:	>10 ¹² Ω cm
	Dielectric strength:	70 kV/mm
	Fire rating:	UL 94 HB (0.79 mm halogen-free)
	Colour:	Black
PA6 med 15% glass-fibre (insulation)	Density:	1.25 g/cm ³
	Linear expansion:	70x10 ⁻⁶ m/m°C
	Water absorption:	2.3%
	Volume resistivity:	>10 ¹³ Ω cm
	Dielectric strength:	65 kV/mm
	Fire rating:	UL 94 HB
	Colour:	Black
PA6 (cable holder)	Density:	1.13 g/cm ³
	Linear expansion:	100x10 ⁻⁶ m/m°C
	Water absorption:	2.8%

Exploded view UFB-800



Design and dimensions



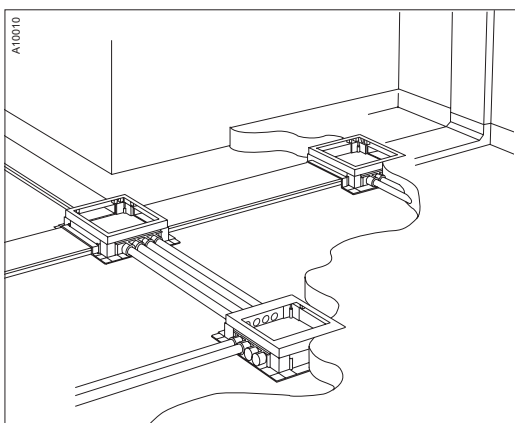
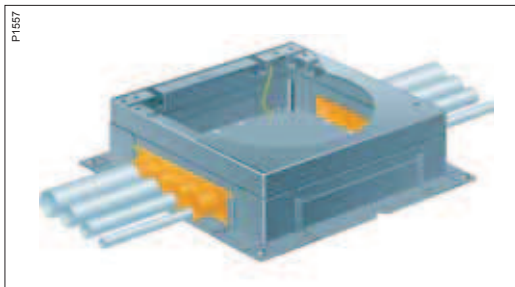
	Volume resistivity:	>10 ¹⁵ Ω cm
	Dielectric strength:	60 kV/mm
	Fire rating:	UL 94 V-2 (halogen-free)
	Colour:	Black
PA/ABS	Density:	1.12 g/cm ³
	Linear expansion:	70x10 ⁻⁶ m/m°C
	Water absorption:	0.9%
	Volume resistivity:	10 ¹⁴ Ω cm
	Dielectric strength:	19 kV/mm
	Fire rating:	UL 94 HB (halogen-free)
	Colours:	Grey RAL 7011 (≈NCS 6905-B05G) Anthracite RAL 7016 (≈NCS 7905-B02G)
PC/ABS	Density:	1.14 g/cm ³
	Linear expansion:	70x10 ⁻⁶ m/m°C
	Water absorption:	0.6%
	Volume resistivity:	>10 ¹³ Ω cm
	Dielectric strength:	19 kV/mm
	Fire rating:	UL 94 V-0 (1.6 mm halogen-free)
	Colours:	White RAL 9016
Steel (lid plate)	Specification:	S 350 GD
	Material thickness:	4 mm
	Density:	7.8 g/cm ³
	Surface treatment:	Galvanized Z 275
Steel (hinge)	Specification:	S 235 JR
	Density:	7.8 g/cm ³
	Surface treatment:	Galvanized
Spring steel (lid lifting handle)	Specification:	DIN 17223
	Density:	7.8 g/cm ³
	Surface treatment:	Fe/Zn 5 c1
Aluminium (cutting template)	Specification:	AlSi 1.5 Mn
	Density:	2.6 g/cm ³
	Colour:	Natural
Fireflex (foam cushion)	Specification:	S305+4610 B1
	Colour:	Grey
EPS S15 (polystyrene)	Density:	0.015 g/cm ³
	Colour:	White

Operative data

Compatible with	<ul style="list-style-type: none"> Floors approved for dry cleaning. Raised access floors (RAF), in-cavity floors, screeded floors in conjunction with UFB-IG or former UFB-RF. Boxes CYB and MIB. Outlet system CYB and standard outlets.
Not compatible with	<ul style="list-style-type: none"> Floors approved to withstand water. Floors with a smaller construction height than 70 mm. Standard outlets with larger covering plates than 84 mm.

UFB-IG

UFB-IG Presentation



Screeded floor boxes UFB-IG

Description

Screeded floor boxes UFB-IG are to be placed on the floor slab, which is then covered by concrete screed (Fig. 1). If the shuttering formwork is to be removed after the casting, the box must be placed with a concrete layer under the box.

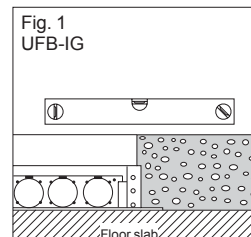
UFB-IG

For UFB-IG the minimum depth of the concrete layer should be 70 mm and 110 mm respectively.

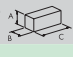
UFB-IG can be continuously adjusted to a height of 70–110 mm and 110–150 mm respectively. By using one or several spacer frames UFB-MG, the depth can be increased in steps of 40 mm per frame.

All four sides of UFB-IG can be opened for connections by using adaptors UFB-AP for various applications. UFB-AP adaptors are available in three different designs for the connection of conduits or trunkings. The conduit adaptor can be adjusted to four different conduit dimensions by using reduction sleeves.

The box is supplied with one side open and the other three sides covered by blank plates, and is provided with a top plate intended to prevent concrete from leaking into the box. After the casting the top plate is to be replaced by installation cover UFB-MP.

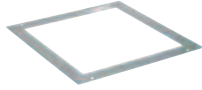



UFB-IG with accessories

Type	Colour	Dimensions A/B/C (mm)		Qty per package	EAN code	Ref. No.
Screeded floor box for floors 70–110 mm						
Screeded floor box for floor embedment in screeded floors from 70 to 110 mm thickness. For floors thicker than 110 mm, add spacer frame UFB-MG as an enhancement. The box height is adjustable, the adjustment being made in all four corners to make it possible to always level the box to the finished floor. The box is supplied including spacer frame and three blank plates UFB-AP. Suitable for floor outlet boxes type UFB and service posts type POS mounted in mounting plate UFB-MP. Material: Sheet steel S 235 JR, aluminium AC - AlSi 9 Cu 3 (Fe).						
UFB-IG	Galvanized	110/455/455		1	7315885197565	5197 560
Screeded floor box for floors 110–150 mm						
Screeded floor box for floor embedment in screeded floors from 110 to 150 mm thickness. For floors thicker than 150 mm, add spacer frame UFB-MG as an enhancement. The box height is adjustable, the adjustment being made in all four corners to make it possible to always level the box to the finished floor. The box is supplied including spacer frame and three blank plates UFB-AP. Suitable for floor outlet boxes type UFB and service posts type POS mounted in mounting plate UFB-MP. Material: Sheet steel S 235 JR, aluminium AC - AlSi 9 Cu 3 (Fe).						
UFB-IG	Galvanized	140/455/455		1	7315880047681	5197 565
Spacer frame						
Spacer frame to be screw-fastened to screeded floor box UFB-IG, increasing the height by 40 mm. Several spacer frames can be mounted on top of one another to further increase the height. Material: Aluminium AC - AlSi 9 Cu 3 (Fe).						
UFB-MG	—	47/370/370		1	7315885197558	5197 550
Blank plate						
Blank plate to be fitted to the side entrance of screeded floor box UFB-IG. Material: Sheet steel S 235 JR.						
UFB-AP Blank plate	—	1.5/55/257		10	7315880046813	5197 750
Floor trunking adaptor for 28 mm high trunking						
Adaptor to be fitted to the side entrance of screeded floor box UFB-IG for the connection of 28 mm high floor trunking to the box. Material: Sheet steel S 235 JR.						
UFB-AP For 150x28 mm floor trunking	—	55/40/257		10	7332418017633	5197 761
UFB-AP For 200x28 mm floor trunking	—	55/40/257		10	7332418017640	5197 762
UFB-AP For 250x28 mm floor trunking	—	55/40/282		10	7332418017657	5197 763
Floor trunking adaptor for 38 mm high trunking						
Adaptor to be fitted to the side entrance of screeded floor box UFB-IG for the connection of 38 mm high floor trunking to the box. Material: Sheet steel S 235 JR.						
UFB-AP For 150x38 mm floor trunking	—	55/40/257		10	7332418017664	5197 771
UFB-AP For 200x38 mm floor trunking	—	55/40/257		10	7332418017671	5197 772
UFB-AP For 250x38 mm floor trunking	—	55/40/282		10	7332418017688	5197 773
Conduit adaptor						
Adaptor for the connection of 1–4 conduits Ø 50 mm (dimensions acc. to EN 60423) to screeded floor box UFB-IG. When required, the conduit dimension can be reduced by reduction sleeve UFB-RM. All conduit entrances are provided with knock-out opening. Material: PP.						
UFB-AP	Yellow	55/40/257		10	7315885197756	5197 755
Reduction sleeve						
Reduction sleeve for the connection of conduits in adaptor UFB-AP. The reduction sleeve is available for four different conduit dimensions: Ø 16, Ø 20, Ø 32 and Ø 40 mm (dimensions acc. to EN 60423). The hole for the conduit connection is positioned at the bottom edge of the reduction sleeve, for a steady position of the conduit. Material: PP.						
UFB-RM For conduits Ø 16 mm	Yellow	Ø50/39		10	7315885197824	5197 820
UFB-RM For conduits Ø 20 mm	Yellow	Ø50/39		10	7315880046820	5197 825
UFB-RM For conduits Ø 32 mm	Yellow	Ø50/39		10	7315885197831	5197 830
UFB-RM For conduits Ø 40 mm	Yellow	Ø50/39		10	7315880046837	5197 835

UFB-IG with accessories

PE79M2

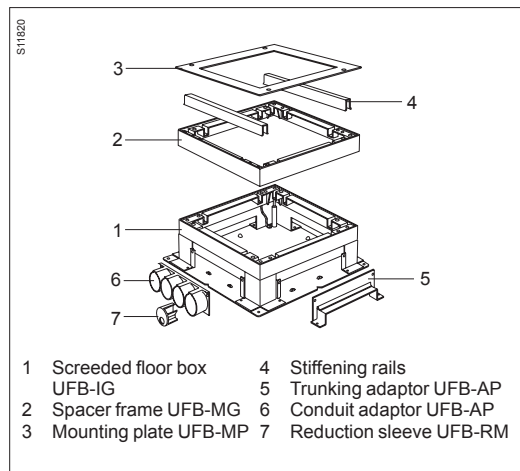


Type	Colour	Dimensions A/B/C (mm)		Qty per package	EAN code	Ref. No.
Installation cover						
Installation cover for UFB floor boxes and service post POS-200, to be mounted in screeded floor box UFB-IG. Material: Sheet steel S 235 JR, zinc coated.						
UFB-MP Blank plate	Galvanized	3/361/361		1	7315880046851	5197 780
UFB-MP For UFB-700	Galvanized	3/361/361		1	7315885197787	5197 785
UFB-MP For UFB-800	Galvanized	3/361/361		1	7315880046844	5197 790
UFB-MP For UFB-900	Galvanized	3/361/361		1	7315885197794	5197 795

UFB-IG

Technical description

Exploded view



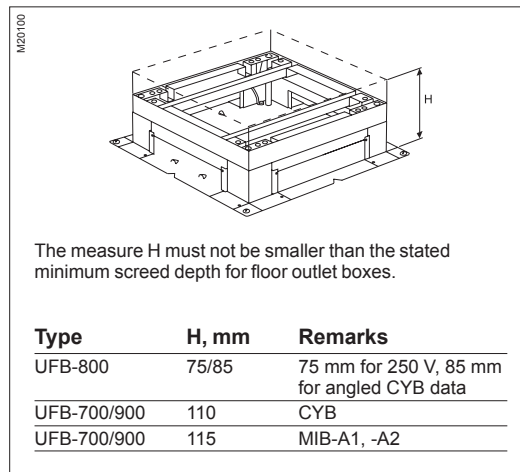
Standards

Tested to DIN VDE 0634 Teil 1 and PSA.MOB PF2 PS, Jan 1990.
 Adaptor UFB-AP and reduction sleeve UFB-RM for conduits with dimensions acc. to EN 60423.

Material data

Steel	Specification:	S 235 JR
	Density:	7.8 g/cm ³
	Surface treatment:	Galvanized
Sheet steel	Specification:	S 235 JR
	Density:	7.8 g/cm ³
	Surface treatment:	Zinc (Z275)
Aluminum	Specification:	AC - AISi 9 Cu 3 (Fe)
	Density:	2.7 g/cm ³
PP (polypropylene)	Density:	0.905 g/cm ³
	Linear expansion:	110x10 ⁻⁶ /°C
	Fire rating:	UL 94 HB halogen-free
	Colours:	Yellow NCS 0080-Y20R Blue Grey Natural PP colour

Design and dimensions



Cable capacity

	Cable dia. Max Ø	Cross section area, mm ²	Cable capacity, mm ²		
			40%	50%	60%
Conduit adaptor UFB-AP	37	1040	416	520	624
Conduit adaptor UFB-AP + UFB-RM 40	35	984	394	492	590
Conduit adaptor UFB-AP + UFB-RM 32	27	606	242	303	364
Conduit adaptor UFB-AP + UFB-RM 20	16	224	90	112	134
Conduit adaptor UFB-AP + UFB-RM 16	13	132	53	66	79

Operative data

Temperature range	From -20 to +60°C
Suitable outdoors	Not suitable
Degree of protection	IP 20
Estimated min. length of service	More than 15 years
Restrictions	Only for the mounting of floor boxes UFB and post POS-200